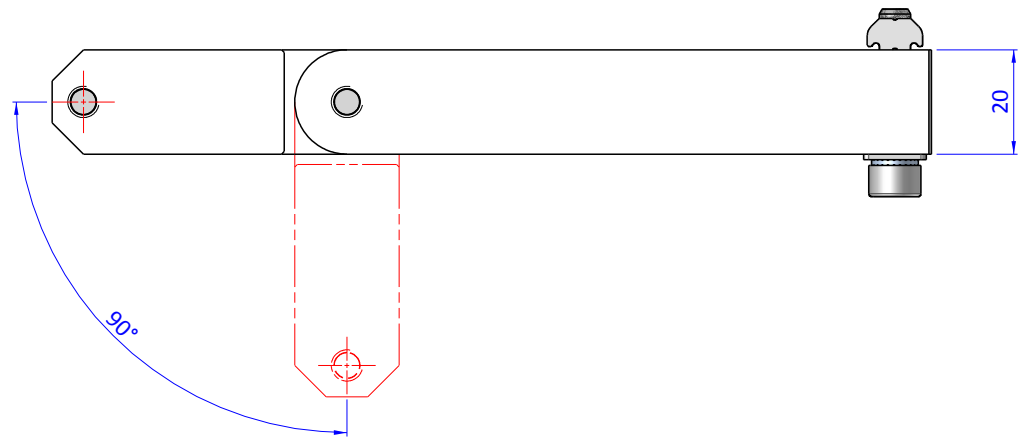
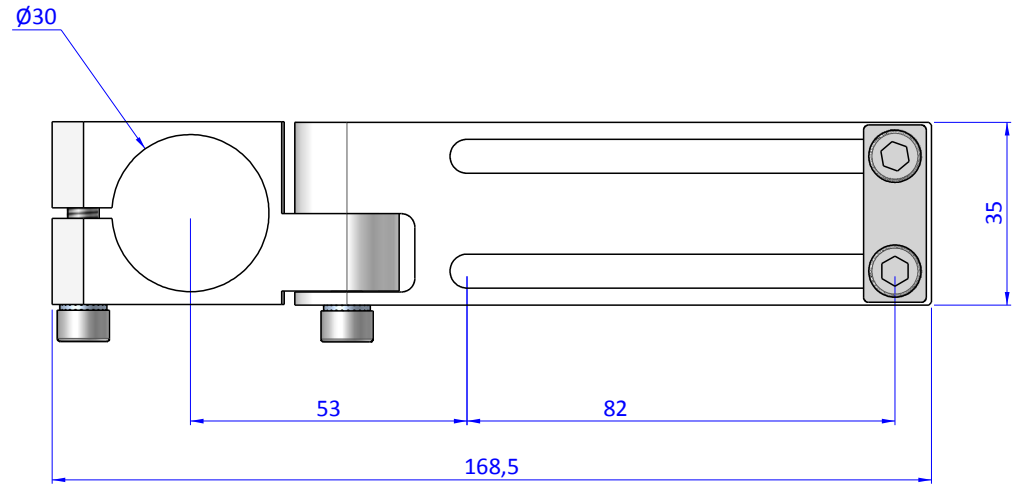
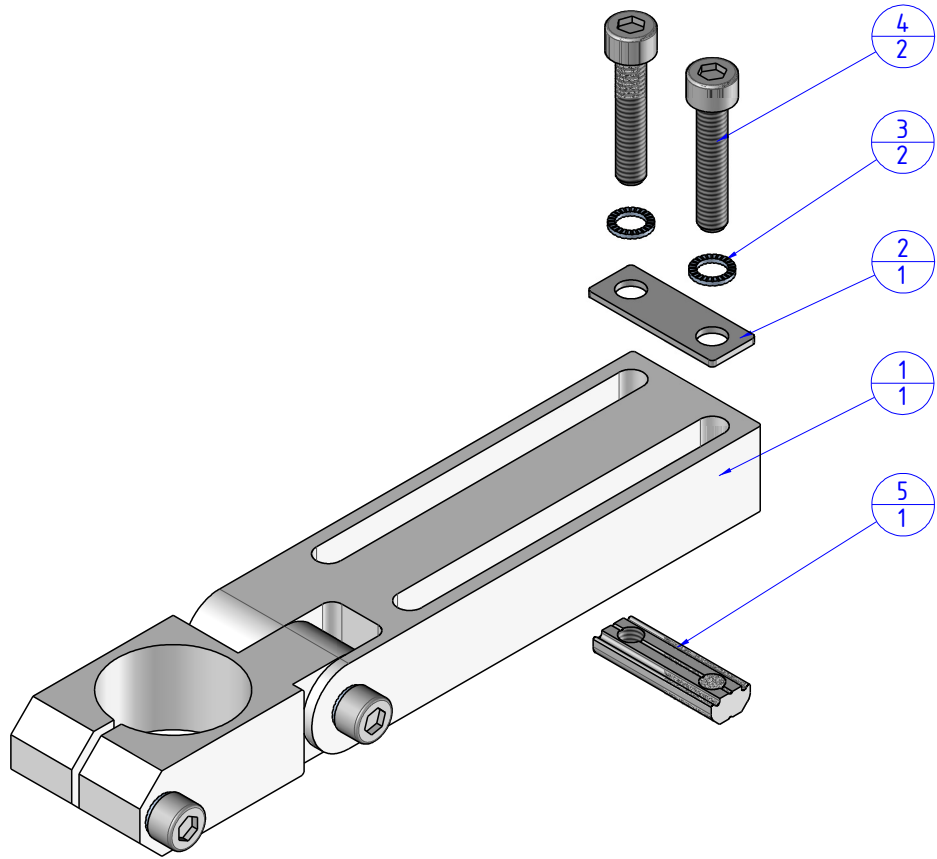


THE PROPERTY OF THE DRAWING IS ESTABLISHED BY LAW. IT IS FORBIDDEN TO PRODUCE OR SHOW IT TO THIRD PART. WITHOUT A WRITTEN AGREEMENT.

| Item | Name         | Q.ty |
|------|--------------|------|
| 1    | CA.WSL.GA.30 | 1    |
| 2    | R.06.22      | 1    |
| 3    | R.6.SCH      | 2    |
| 4    | V.TCE6x30    | 2    |
| 5    | CA.GWP.6.22  | 1    |



Format A3

UNI 936-76

|                   |  |                |         |                |
|-------------------|--|----------------|---------|----------------|
|                   |  | DESIGNED FROM  |         | REVIEW         |
|                   |  | FPSERVICES     |         | A              |
| GENERAL TOLERANCE |  | DATE           | WEIGHT  |                |
| UNI - ISO 2768    |  | 16/11/2018     | 0.261kg |                |
| CLASSE f          |  | CODE           |         |                |
|                   |  | CA.WSL.GA.30.X |         | CA.WSL.GA.30.X |